



### KEY VOCABULARY

electricity

electrical current

electric shock

circuit

battery

light bulb

switch

wire

conductor

insulator

electricity is a **form of energy**; we can control it and use it

the **flow of electricity**

when **electricity flows through the human body causing a shock**; exposure to electrical energy can be dangerous, resulting in damage or death

a **path** which electricity flows around

a **store of energy**, also known as a cell

a component that **converts electrical energy to light energy**

a component that **can make or break an electrical circuit**

a **thin piece of metal covered in plastic** that conducts electricity

materials that **allow electricity to pass through** them are called conductors

materials that **do not allow electricity to pass through** are called insulators

battery



bulb



wire

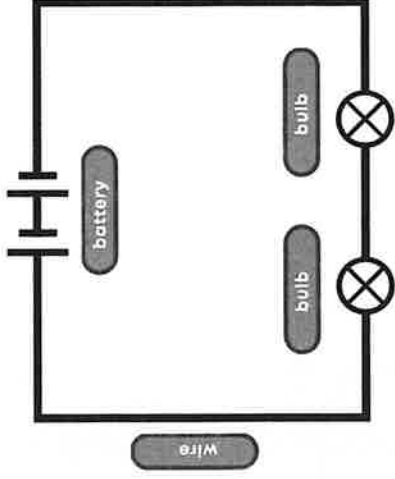


switch



electrical symbols

### series circuit



a series circuit has one path for electricity to flow

### AA battery

1.5 V (volts)



### car battery

12 V (volts)



### Granville T Woods (1856-1910)



an inventor and electrical engineer who worked on many inventions that made electrical railways safer and more efficient